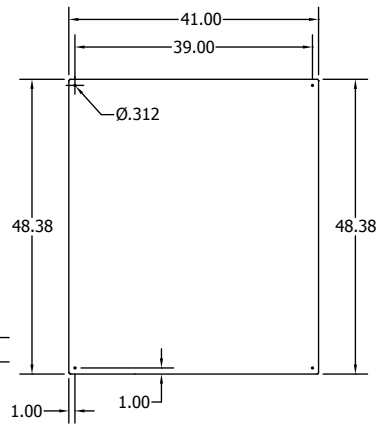
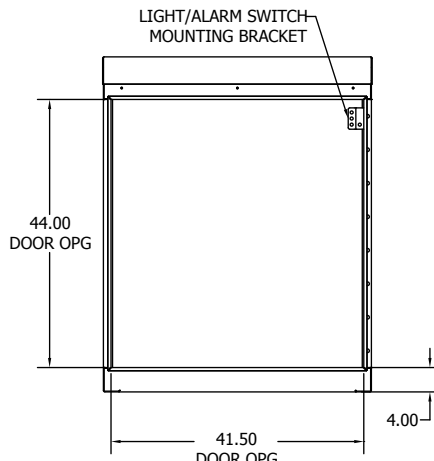
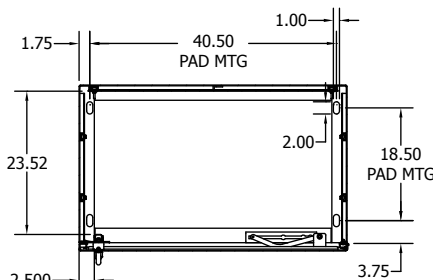


SECTION D-D



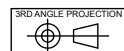
ALUM BACK PANEL



SECTION C-C

**OPTIONS:**

- Panels
- Windows
- Switch Compartments
- Paint Finishes
- Rack Rails
- Shelves
- Panels, center
- Custom Equipment Mounting
- Pedestal Adaptor (reinforced bottom)
- Swing Rack
- Climate Control
  - Air Conditioner
  - Sunshields
  - Insulation
  - Heater



01	0032	PROTOTYPE RELEASE		12/9/2015	
REV	ECH	DESCRIPTION		DATE	ENGINEER
REVISIONS					
DIMENSIONS ARE IN INCHES UNLESS OTHERWISE SPECIFIED		THIS DRAWING CONTAINS PROPRIETARY INFORMATION AND IS THE PROPERTY OF APX ENCLOSURES, INC. AND SHALL NOT BE TRANSMITTED OR REPRODUCED OR USED AS THE BASIS FOR MANUFACTURE OR SALE WITHOUT PRIOR WRITTEN PERMISSION.			
TOLERANCES ARE: FRACTIONS    DECIMALS    ANGLES ± 1/16    .XXX ±.015    ±1°					
BEND RADIUS 99 BEND DEDUCTION 132.80 lbmass		CHECKED	DATE	TCL554426A1254X1-CAT STD	
MATERIAL		DESIGN	DATE	SCALE	
		PREPARED	DATE	SIZE B	DWG. NO. 1-100-000028
		APPROVED	DATE	SCALE	REV 01
				SHEET 1 OF 1	