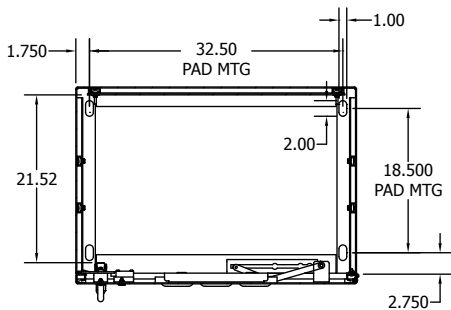


SECTION D-D



SECTION C-C

OPTIONS:

- Panels
- Lock, Keying, Other Than Standard
- Windows
- Switch Compartments
- Paint Finishes
- Filters
- Rack Rails
- Shelves
- Panels, center
- Custom Equipment Mounting
- Pedestal Adaptor (reinforced bottom)
- Swing Rack
- Climate Control
 - Air Conditioner
 - Sunshields
 - Insulation
 - Heater
 - Forced-Air Ventilation Fan

01	0032	PROTOTYPE RELEASE		4/12/2016								
REV	ECN	DESCRIPTION	DATE	ENGINEER								
REVISIONS												
DIMENSIONS ARE IN INCHES UNLESS OTHERWISE SPECIFIED TOLERANCES ARE: FRACTIONS DECIMALS ANGLES ± 1/16 .XXX ± 0.015 ±1-		<table border="1"> <tr> <td>DESIGN</td> <td>DATE</td> </tr> <tr> <td>DRAWN</td> <td>4/12/2016</td> </tr> <tr> <td>CHKD</td> <td></td> </tr> <tr> <td>PREPDR</td> <td></td> </tr> </table>			DESIGN	DATE	DRAWN	4/12/2016	CHKD		PREPDR	
DESIGN	DATE											
DRAWN	4/12/2016											
CHKD												
PREPDR												
BEND RADIUS R105.85 lbmass		THIS DRAWING CONTAINS PROPRIETARY INFORMATION AND IS THE PROPERTY OF APX ENCLOSURES, INC. AND SHALL NOT BE TRANSMITTED OR REPRODUCED OR USED AS THE BASIS FOR MANUFACTURE OR SALE WITHOUT PRIOR WRITTEN PERMISSION.										
3RD ANGLE PROJECTION		TCL53624A1253R1-CAT STD										
SCALE		SIZE B	DWG. NO. 1-100-000802	REV 01								
		SHEET 1 OF 1										