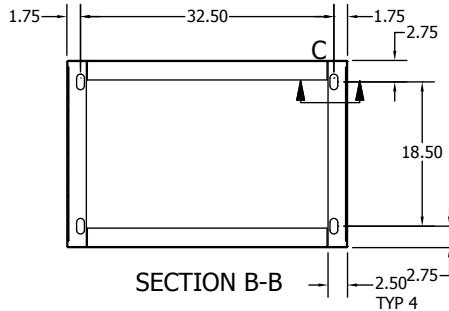
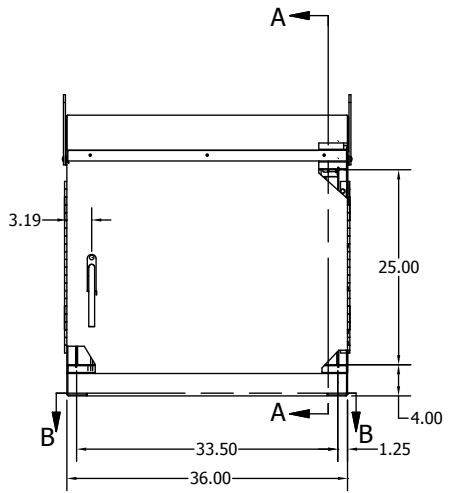


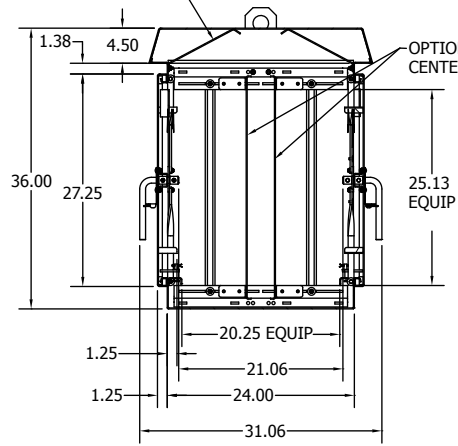
4 | 3 | 2 | 1



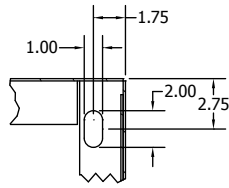
SECTION B-B

TYP 4

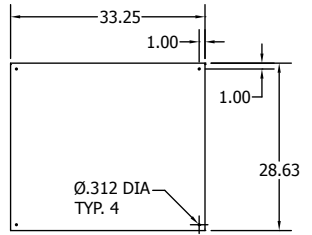
LIGHT MOUNTING PLATE



SECTION A-A



DETAIL C



ALUMINUM CENTER PANEL

**OPTIONS:**

- Windows
- Switch Compartments
- Paint Finishes
- Rack Mounting
- Shelves
- Panels, Center
- Lifting Ears
- Custom Equipment Mounting
- Pedestal Adapter (reinforced bottom)
- Swing Rack
- Climate Control
  - Air Conditioner
  - Sunshields
  - Insulation
  - Heater

01	PROTOTYPE RELEASE	12/6/2007	JGAO
REV	ECN	DESCRIPTION	DATE ENGINEER
DIMENSIONS ARE IN INCHES:		REVISIONS	
UNLESS OTHERWISE SPECIFIED		THIS DRAWING CONTAINS PROPRIETARY INFORMATION AND IS THE PROPERTY OF APX ENCLOSURES, INC. AND SHALL NOT BE TRANSMITTED OR REPRODUCED OR USED AS THE BASIS FOR MANUFACTURE OR SALE WITHOUT PRIOR WRITTEN PERMISSION.	
FRACCTIONS	DECIMALS	ANGLES	
± 1/16	± 0.015	± 1°	
BY	CHECKED	DATE	DATE
N/A	JGAO	1/16/08	
3RD ANGLE PROJECTION	TCFR383624A1254X1NNNNNORNNNNNI		
SIZE	SCALE	EDWG. NO.	REV
B		1-200-000019	01
SHEET 1 OF 1			

4 | 3 | 2 | 1